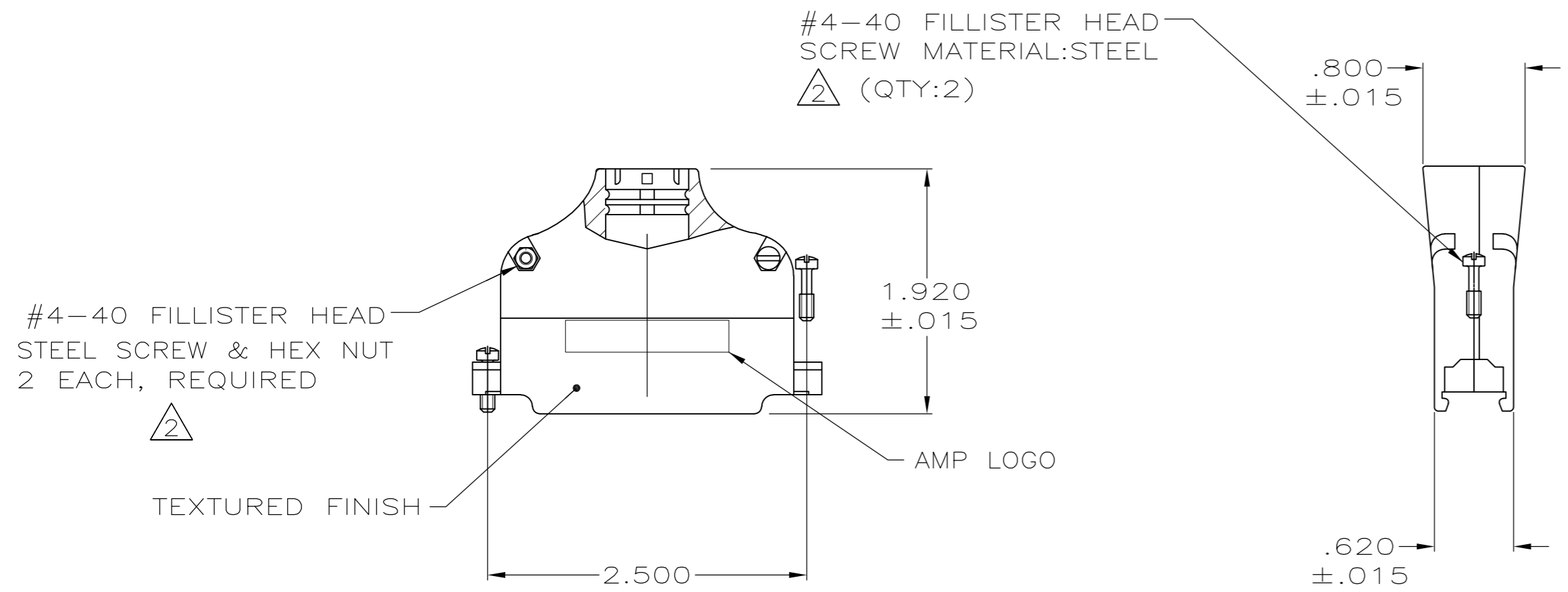
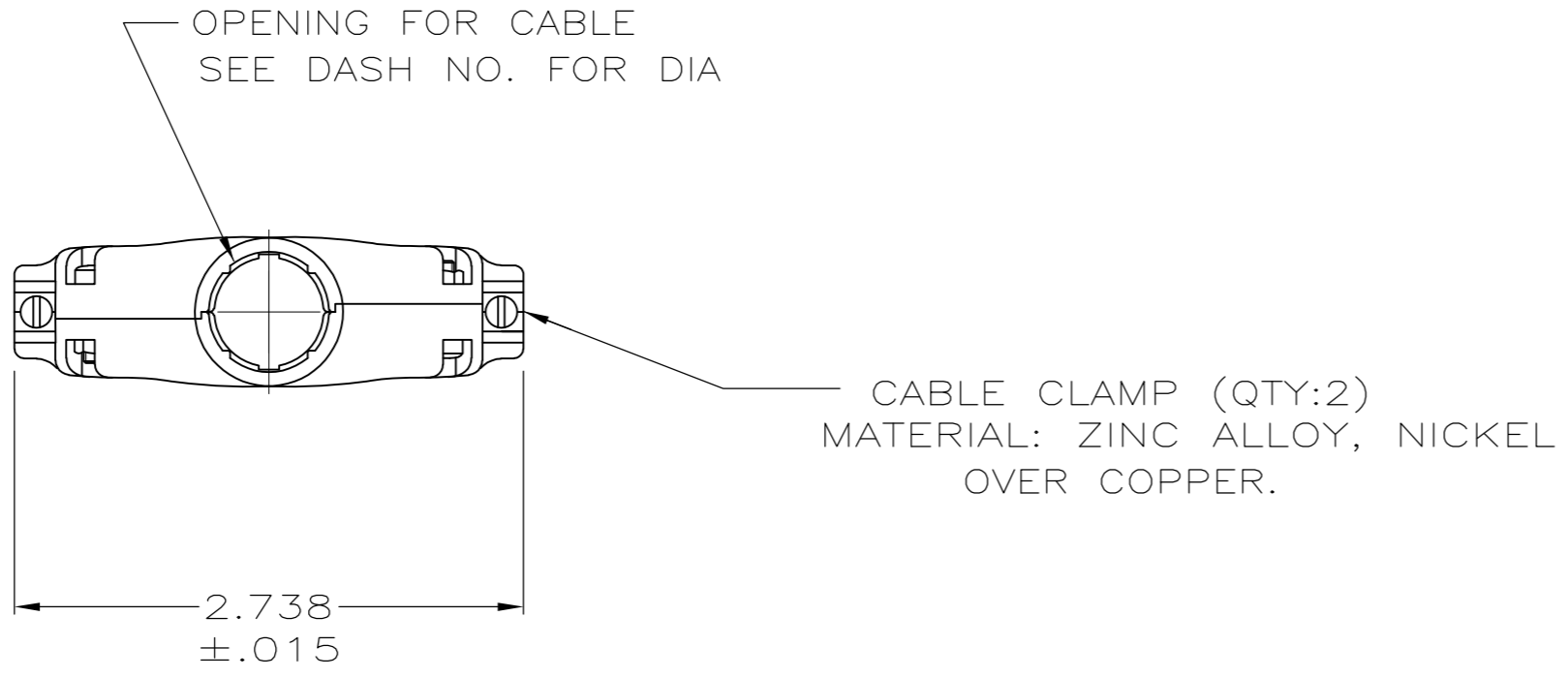


THIS DRAWING IS UNPUBLISHED. RELEASED FOR PUBLICATION
 © COPYRIGHT - By - ALL RIGHTS RESERVED.

LOC	DIST	REVISIONS					
		P	LTR	DESCRIPTION	DATE	DWN	APVD
GP	00	P		REVISED PER ECO-11-004835	11MAR11	RK	HMR



SIZE	NECK IDENT	CABLE DIA	PART NO.
P		.530	2-5745174-7
F		.350	5745174-5
J		.425	5745174-4
N		.500	5745174-3
R		.575	5745174-2
T		.650	5745174-1

- PARTS PACKAGED UNASSEMBLED.
- △ ZINC PLATED .000200-.000400 THICK, CLEAR CHROMATE COATING.

**COPYRIGHT 2005
 TE CONNECTIVITY CORP
 ALL RIGHTS RESERVED**

THIS DRAWING IS A CONTROLLED DOCUMENT.		DWN D. HENNY 8-13-05	TE TE Connectivity	
DIMENSIONS: INCHES		CHK C. ROHDE 8-13-05		
TOLERANCES UNLESS OTHERWISE SPECIFIED:		APVD M. WALMSLEY 8-13-05	NAME CABLE CLAMP KIT, SIZE 4, 37 POSITION, 180DEG, AMPLIMITE SERIES	
0 PLC ± -		PRODUCT SPEC	SIZE CAGE CODE DRAWING NO RESTRICTED TO	
1 PLC ± -		APPLICATION SPEC	A2 00779 C=5745174	
2 PLC ± -		WEIGHT	SCALE 1:1 SHEET 1 of 1 REV P	
3 PLC ± .005		CUSTOMER DRAWING		
4 PLC ± -				
ANGLES ± -				
MATERIAL SEE CALLOUTS		FINISH SEE CALLOUTS		